

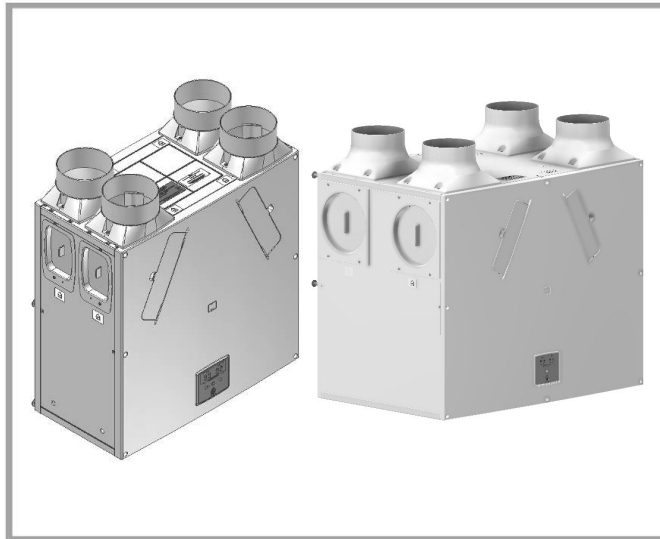
# Kinetic

Kinetic E MVHR

and

Kinetic Plus E MVHR

Operation & Monitoring



**Stock Ref. N°**

443303 Kinetic E

449059 Kinetic Plus E

***Vent-Axia***<sup>®</sup>

PLEASE RETAIN THESE INSTRUCTIONS WITH THE PRODUCT.

CE

## IMPORTANT



**PLEASE READ THESE INSTRUCTIONS CAREFULLY BEFORE USING THE UNIT.**

1. THIS APPLIANCE IS NOT INTENDED FOR USE BY YOUNG CHILDREN OR INFIRM PERSONS WITHOUT SUPERVISION.
2. YOUNG CHILDREN SHOULD BE SUPERVISED TO ENSURE THAT THEY DO NOT PLAY WITH THE APPLIANCE.
3. DO NOT ATTEMPT TO REMOVE THE COVERS OF THIS UNIT. HIGH VOLTAGE IS PRESENT IN THIS UNIT.



### Disposal

This product should not be disposed of with household waste. Please recycle where facilities exist. Check with your local authority for recycling advice.

## Contents

<b>Product Description</b>	<b>3</b>
Kinetic E & Kinetic Plus E .....	3
Powering Up the Unit .....	5
<b>Operation and Monitoring</b>	<b>6</b>
Overview .....	6
Control Unit .....	6
<b>Maintenance</b>	<b>7</b>
Caring for the Unit .....	7
Filter Maintenance .....	7
12 Monthly Maintenance .....	7

## Product Description

### Kinetic E & Kinetic Plus E

The Vent-Axia **Kinetic E and Kinetic Plus E Mechanical Ventilation/Heat Recovery (MVHR)** are heat recovery units designed for the energy efficient ventilation of houses and similar dwellings, conforming to the latest requirements of the Building Regulations document F 2010.

The unit is designed for continuous 24 hour exhaust ventilation of stale moist air from bathrooms, toilets and kitchens. As the stale air is extracted, a heat exchanger within the unit transfers up to 90% of the heat and transfers it into the supply air entering the bedrooms and lounge.

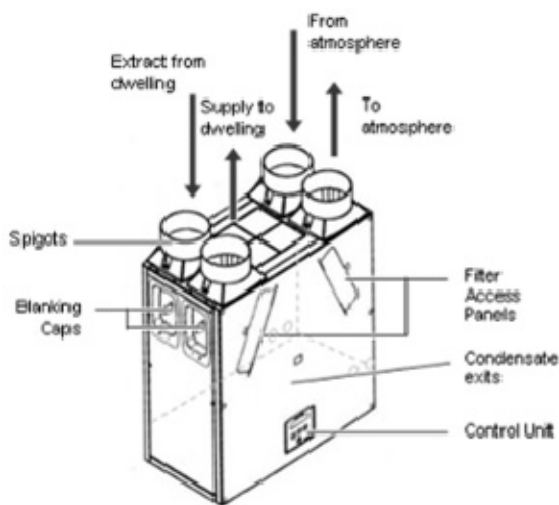


Figure 1: Kinetic E (Front of Unit as supplied)

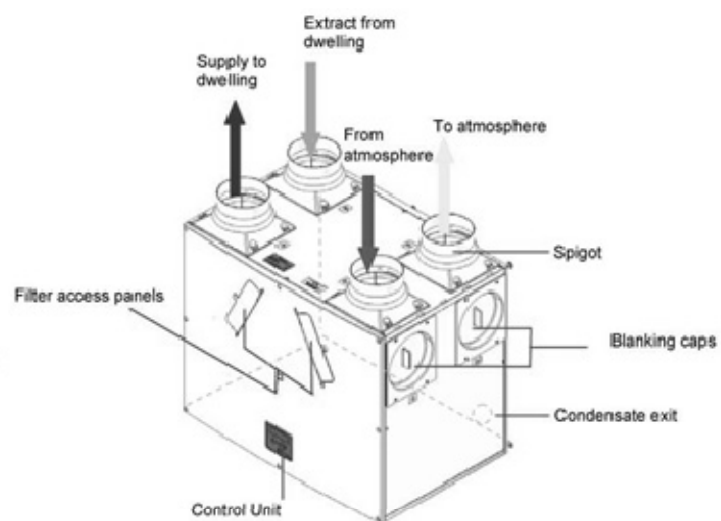


Figure 2: Kinetic Plus E (Front of Unit as supplied)

A wide range of sensors is available that can be used to switch Kinetic E and Kinetic Plus E from trickle to boost speed and they are:

- TimeSpan
- Air Quality Sensor
- Ambient Response Humidity
- Vent-Axia HumidiSwitch
- Vent-Axia ThermoSwitch
- Normal Boost Switch
- Vent Wise

## Technical Specification

Performance	Kinetic E	Kinetic Plus E
<b>Airflow</b>	<b>Maximum, FID, 160 m<sup>3</sup>/h</b> <b>Normal</b> factory set at minimum <b>Boost</b> factory set at minimum	<b>Maximum, FID, 500 m<sup>3</sup>/h</b> <b>Normal</b> factory set at minimum <b>Boost</b> factory set at minimum
<b>Sound levels (@ 3 m)</b>	29 dB(A) (normal), 34 dB(A) (boost)	24 dB(A) (normal), 34 dB(A) (boost)
<b>Power</b>		
<b>AC Voltage Input</b>	220-240 V AC (single phase)	220-240 V AC (single phase)
<b>AC Frequency Input</b>	50 Hz nominal	50 Hz nominal
<b>Rated Power</b>	104 W (max.)	190 W (max.)
<b>Physical</b>		
<b>Height (excluding spigots)</b>	550 mm	630 mm
<b>Width (excluding spigots)</b>	550 mm	775 mm
<b>Depth</b>	285 mm	524 including filter flap hinge protrusion
<b>Weight</b>	12 kg	24 kg
<b>Spigot diameter</b>	125 mm	150 mm
<b>Condensate pipe diameter</b>	22 mm	22 mm
<b>Environmental</b>		
<b>IP Rating</b>	IP22	IP22
<b>Operating Temperature</b>	-10°C to +45°C	-10°C to +45°C
<b>Air Intake Temperature</b>	As above	As above
<b>Operating Humidity</b>	0% to 95% RH	0% to 95% RH
<b>Storage Temperature</b>	-10°C to +45°C	-10°C to +45°C
<b>Storage Humidity</b>	0% to 95% RH	0% to 95% RH

For all other technical details, please see the Product Catalogue or our website at [www.vent-axia.com](http://www.vent-axia.com).

## Powering Up the Unit

### Switching On

1. Switch on the power at the mains supply isolator feeding the unit and the fan motors will start.
2. **N.B. If you are intending to carry out work or maintenance inside the unit, switch off the power at the mains outlet supplying the unit before you remove the covers.**

### Switching Off

3. Turn the power off at the mains supply isolator switch.

## Operation and Monitoring

### Overview

When the Kinetic E and Kinetic Plus E unit has been installed and commissioned it should require no further intervention in order to operate. External switches may be used to control switch from normal to boost.

### Control Unit

The Control Unit is located at the front of the Kinetic E and Kinetic Plus E unit.

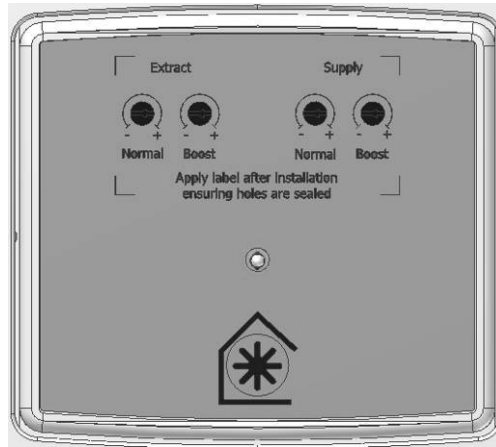



Figure 3: Kinetic E and Kinetic Plus E Control Panel

Button	Function
	Press to activate Boost mode. Press and hold for 5 seconds to resets filter replacement LED.

#### Notes:

A label will have been applied by the person setting the flow rates during the commissioning process. The label is applied to the area indicated by the printed corners, and is intended to maintain a high resistance to moisture.

The LED in the centre of the label lights after 6 months to indicate that the filters should be checked and cleaned / changed if necessary. See Maintenance section.

## Maintenance

### Caring for the Unit


Heat recovery units, by their very nature, require regular maintenance. The Kinetic E and Kinetic Plus E have been designed to facilitate access to enable maintenance to be carried out easily.




**WARNING**

**THE FAN AND ANCILLARY CONTROL EQUIPMENT MUST BE ISOLATED FROM THE POWER SUPPLY DURING MAINTENANCE.**

### Filter Maintenance

Item	Action
Fan Filters	<p>When the red LED comes on, this is a reminder to ensure that the filters are not so dirty that they are blocking the airflow. The rate at which the filters become dirty will vary hugely depending on the environment and the activity within the property.</p> <ol style="list-style-type: none"> <li>1. Open the filter flaps and remove the 2 filters.</li> <li>2. Clean gently by tapping or carefully using a vacuum cleaner if necessary.</li> <li>3. Replace the filters</li> <li>4. Close the filter flaps.</li> <li>5. Reset the LED, press and hold the  buttons for 10 seconds.</li> </ol>

### 12 Monthly Maintenance

Item	Action
Fan Filters	<p>Change the Fan Filters.</p> <ol style="list-style-type: none"> <li>1. Open the filter flaps and remove the 2 filters.</li> <li>2. Insert the replacement filters.</li> <li>3. Close the filter flaps.</li> <li>4. Reset the LED, press and hold the  buttons for 10 seconds.</li> </ol>
Unit & Heat Exchanger Cell	<p>Inspect and clean the unit</p> <ol style="list-style-type: none"> <li>1. <b>Isolate the mains power supply.</b></li> <li>2. Open flaps and remove the 2 filters.</li> <li>3. Remove front cover from the unit.</li> <li>4. Slide out the heat exchanger.</li> <li>5. Wash the outer cover and heat exchanger in warm water using a mild detergent (such as Milton Fluid) and dry thoroughly.</li> </ol> <p><b>NOTE: Keep water away from all electrical components and wiring within the unit.</b></p>
Motors	<p>Inspect the motors for build-up of dust and dirt on the impeller blades, which could cause imbalance and increased noise levels. Vacuum or clean if necessary.</p>
Condensate Drain	<p>Check the condensate drain tube is secure and clear of debris. Clean if necessary.</p>
Fastenings	<p>Check that all unit and wall-mount fastenings are sufficiently tight and have not become loose. Re-tighten if necessary.</p>

## The **Vent-Axia** Guarantee

Applicable only to products installed and used in the United Kingdom. For details of guarantee outside the United Kingdom contact your local supplier.

Vent-Axia guarantees its products for two years from date of purchase against faulty material or workmanship. In the event of any part being found to be defective, the product will be repaired, or at the Company's option replaced, without charge, provided that the product:-

- Has been installed and used in accordance with the instructions given with each unit.
- Has not been connected to an unsuitable electricity supply. (The correct electricity supply voltage is shown on the product rating label attached to the unit).
- Has not been subjected to misuse, neglect or damage.
- Has not been modified or repaired by any person not authorised by the company.

### IF CLAIMING UNDER TERMS OF GUARANTEE

Please return the complete product, carriage paid to your original supplier or nearest Vent-Axia Centre, by post or personal visit. Please ensure that it is adequately packed and accompanied by a letter clearly marked "Guarantee Claim" stating the nature of the fault and providing evidence of date and source of purchase.

The guarantee is offered to you as an extra benefit, and does not effect your legal rights

# **Vent-Axia**

Head Office: Fleming Way, Crawley, West Sussex, RH10 9YX.

**UK NATIONAL CALL CENTRE**, Newton Road, Crawley, West Sussex, RH10 9JA

SALES ENQUIRIES: Tel: 0844 8560590 Fax: 01293 565169

TECHNICAL SUPPORT Tel: 0844 8560594 Fax: 01293 532814

For details of the warranty and returns procedure please refer to [www.vent-axia](http://www.vent-axia) or write to Vent-Axia Ltd, Fleming Way, Crawley, RH10 9YX